

# Assembly Instructions for I/O Experiment Table – 00-1201-0000 (for version E and higher)

This document details the components of the I/O experiment table package and provides instruction on how to wire the table to Controller USB and to the FS100 controller's I/O box.

## CONTENTS

Item	Page Number
Figure 1: I/O Experiment Table	2
Table 1: Parts List	2
Figure 2: I/O Experiment Table Wiring Schematic for Controller USB	3
Figure 3: Controller USB I/O Connections	4
Table 2: I/O Experiment Table Suggested I/O Connections to Controller USB	4
Figure 4: Experiment Table Wiring Schematic for FS100 I/O Box	5
Table 3: I/O Experiment Table Suggested I/O Connections to FS100 I/O Box	6

Figure 1: I/O Experiment Table

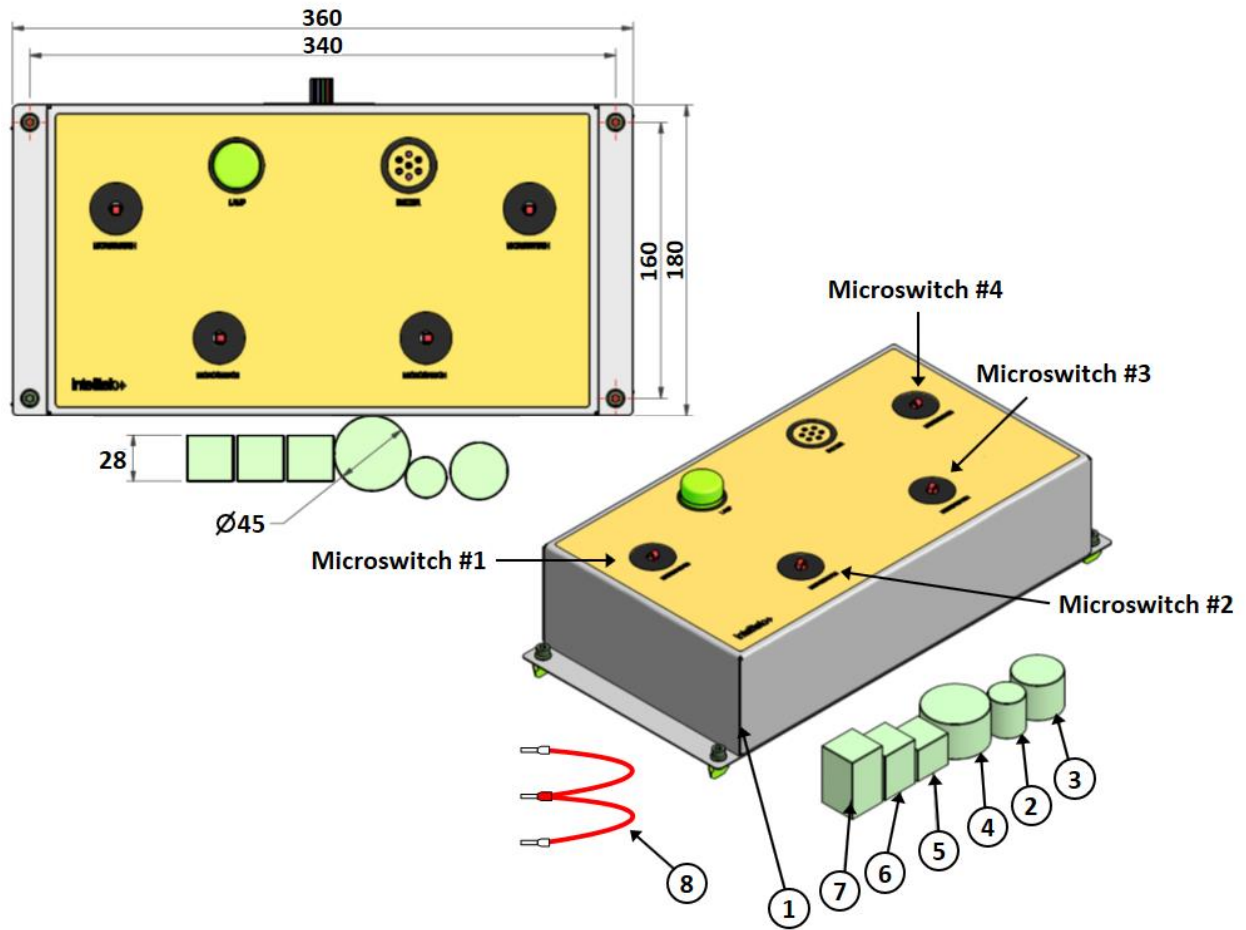


Table 1: Parts List

Item	Qty	Part Number	Description
1	1	015005	Experiment Table
2	1	113018	Bar Round PVC, D=25mm
3	1	113019	Bar Round PVC, D=35mm
4	1	113020	Bar Round PVC, D=45mm
5	1	113021	Square Prism PVC 28x28x25mm
6	1	113022	Square Prism PVC 28x28x35mm
7	1	113023	Square Prism PVC 28x28x45mm
8	1	32-5400-0557	Red Power Jumper (for USB Controller)

Figure 2: I/O Experiment Table Wiring Schematic for Controller USB

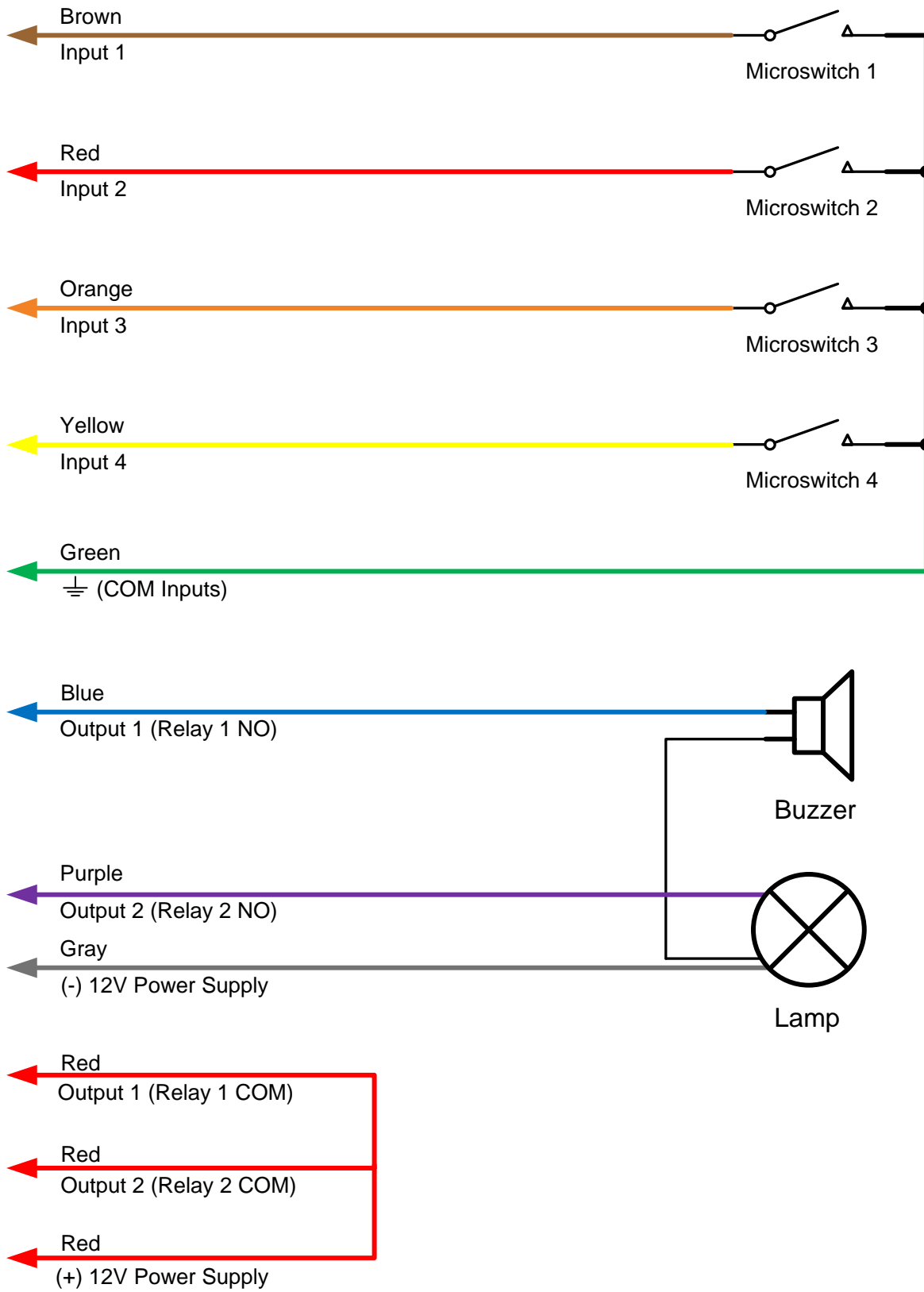


Figure 3: Controller USB I/O Connections

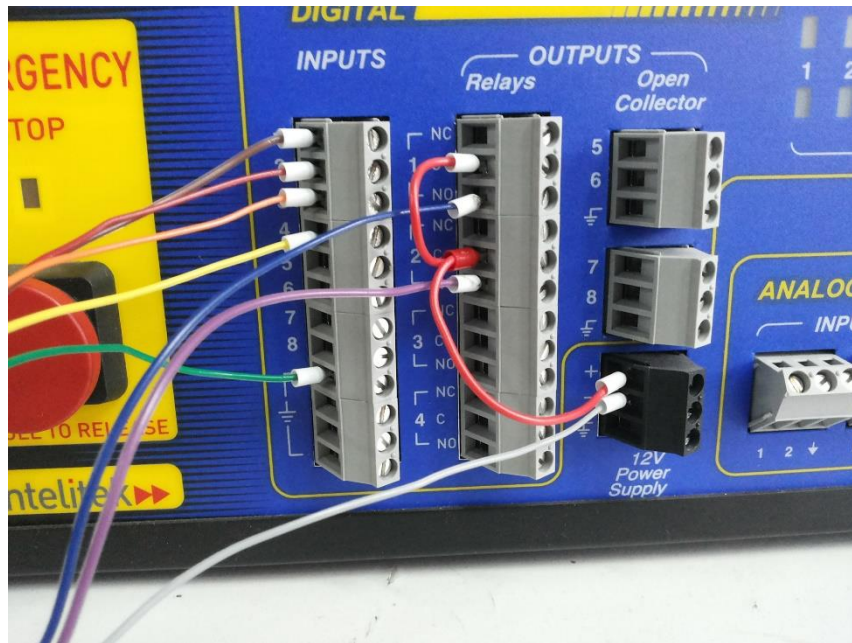


Table 2: I/O Experiment Table Suggested I/O Connections to Controller USB

I/O Experiment Table		Controller USB		
Wire Color	Device / Wire Description	Input No.	Output No.	Power Supply
Brown	Microswitch 1	1		
Red	Microswitch 2	2		
Orange	Microswitch 3	3		
Yellow	Microswitch 4	4		
Green	Microswitches COM	⏏ Inputs COM		
Blue	Buzzer (+)		Relay 1 NO	
Purple	Lamp (+)		Relay 2 NO	
Gray	Buzzer & Lamp (-)			(-) 12V
Red	Red Power Jumper		Relay 1 COM	
			Relay 2 COM	
				(+) 12V

Figure 4: Experiment Table Wiring Schematic for FS100 I/O Box

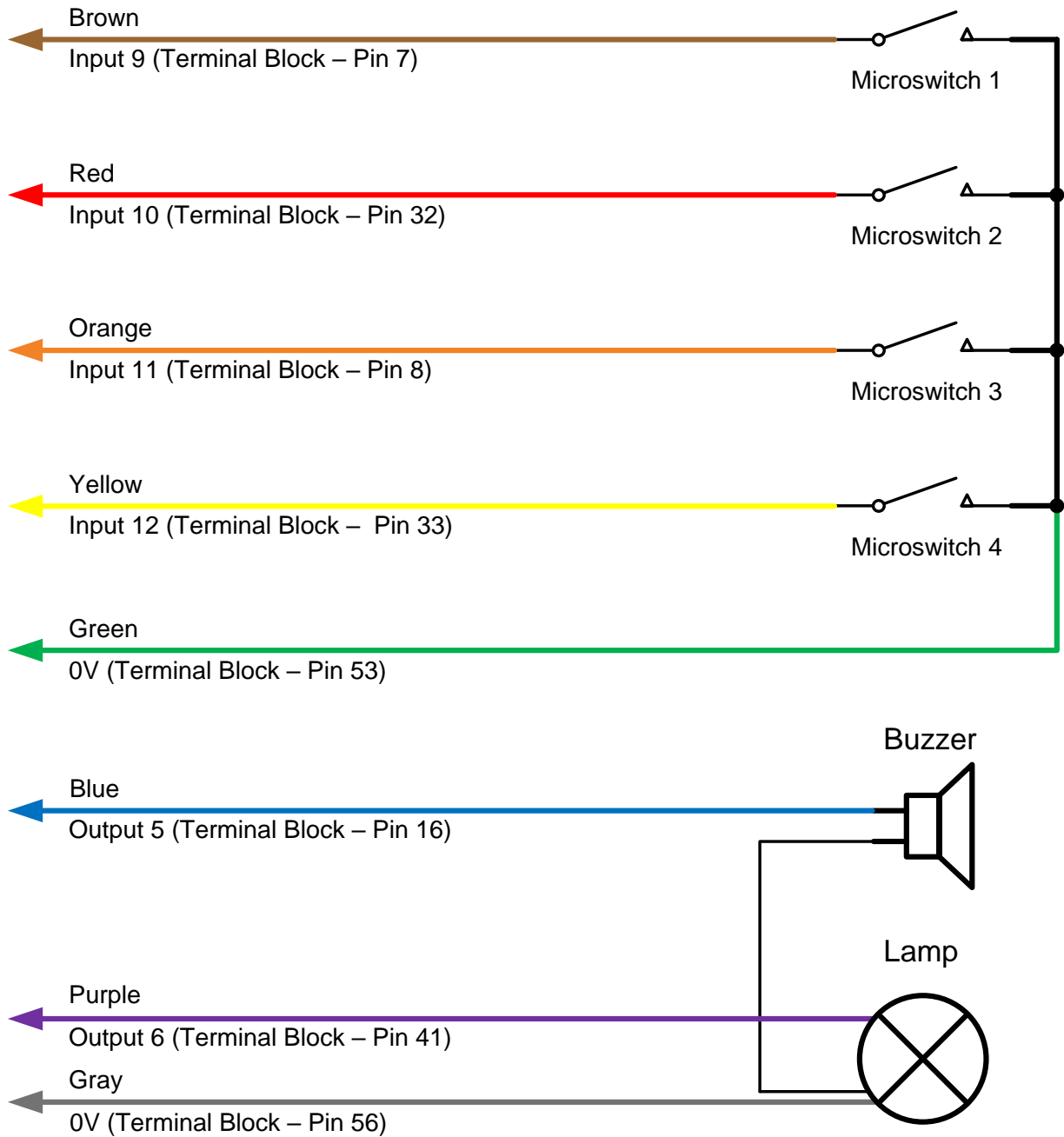




Table 3: I/O Experiment Table Suggested I/O Connections to FS100 I/O Box

I/O Experiment Table		FS100 I/O Box			
Wire Color	Device / Wire Description	Input No.	Output No.	Power Supply	Terminal Block Pin No.
Brown	Microswitch 1	9			7
Red	Microswitch 2	10			32
Orange	Microswitch 3	11			8
Yellow	Microswitch 4	12			33
Green	Microswitches COM			0V	53
Blue	Buzzer (+)		5		16
Purple	Lamp (+)		6		41
Gray	Buzzer & Lamp (-)			0V	56

**For technical assistance, please contact:**

Intelitek Inc.

Toll Free: 800-221-2763

Phone: 603-413-2600

Fax: 603-437-2137

Email: [support@intelitek.com](mailto:support@intelitek.com)